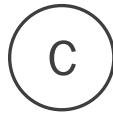
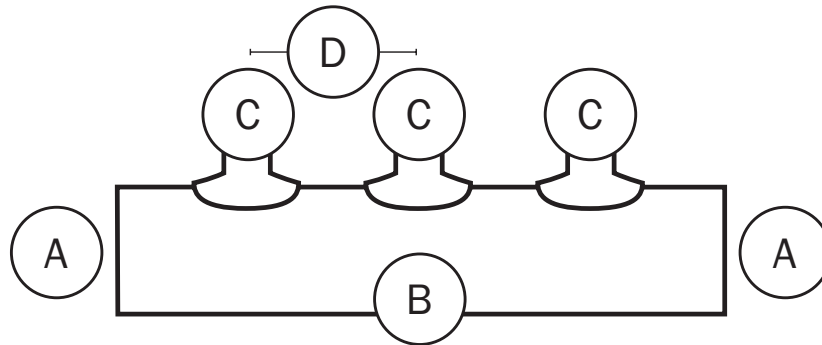


BranchMaster™

Special Order Copper Manifolds



TRUNK ENDS

- Spun Closed
- F1807 PEX Crimp
- F1960 PEX Expansion
- CPVC
- Male Sweat
- Female Sweat
- Full Port Ball Valve

TRUNK

- 1" Type L Copper
 - 1¼" Type L Copper
 - 1½" Type L Copper
 - 2" Type L Copper
- All sizes are nominal CTS

BRANCHES

- F1807 PEX Crimp
- F1960 PEX Expansion
- Male Sweat
- MIP / FIP
- Ball Valve

BRANCH ON-CENTER INTERVALS

- 1½"
- 2" (standard)
- 2½"
- ... Every half-inch after

A TRUNK END 1 _____

A TRUNK END 2 _____

B TRUNK SIZE _____

Note: 1" L Trunk will be used for manifolds with ¾" trunk ends

C BRANCH TYPE _____

C BRANCH SIZE _____

C NUMBER OF BRANCHES _____

C BALL VALVES ON BRANCHES? Yes No

D BRANCH ON-CENTER INTERVALS _____

QUANTITY OF MANIFOLDS NEEDED (MINIMUM QUANTITY: 25) _____

BRIEF DESCRIPTION OF APPLICATION

Name _____

Company _____

Phone _____

Email _____

Email to Sioux Chief: customer.service@siouxchief.com

List price and custom lead time will be determined after receipt of your request for quotation.

BRANCHMASTER SPECIAL ORDER 7-20

www.siouxchief.com

TAKE THE FIELD.



Sioux Chief