

GASKETED OFFSET CLOSET FLANGE

889 SERIES

FullFlush™

ITEM # SUBMITTED	_____
JOB NAME	_____
LOCATION	_____
ENGINEER	_____
CONTRACTOR	_____
PO#	_____ TAG _____

SPECIFICATION

Sioux Chief 889 series FullFlush gasketed closet flanges shall be used where necessary in drainage systems. Flange shall allow 1.5" offset in any direction, and have a full-swivel, corrosion-proof stainless steel ring, with sufficient holes for securing to floor and slots for inserting closet bolts. Flange shall have an offset inner diameter area properly designed to allow full 3" spherical-flow for complete drainage and clog resistance. Engineered elastomer flange gasket shall have 3 points of contact to ensure a positive seal inside 4" nominal DWV pipe. Always fasten closet flanges to the floor.

MATERIALS

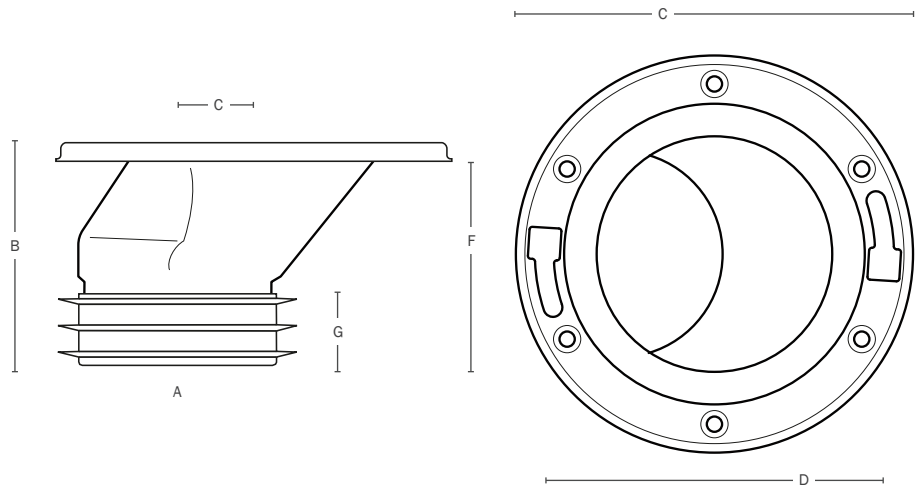
flange body: white or black ABS
 swivel ring: 430 stainless steel
 gasket: engineered elastomer, chemical resistant

DIMENSIONS

A: gasket seal	inside 4" DWV
B: overall height	4¼"
C: ring diameter	7"
D: screw/bolt centers	6⅞"
E: inlet-to-outlet offset	1½"
F: offset tailpiece height	4"
G: gasket height	1¼"



889-GPOM



Create Item Number

889-A

e.g. **889-GPOM:** Gasketed offset closet flange with white ABS body and SS swivel ring

- | A | FLANGE |
|-------------------------------|-----------------------|
| <input type="checkbox"/> GPOM | White ABS flange body |
| <input type="checkbox"/> GAOM | Black ABS flange body |