

CLOSET FLANGE

886 SERIES

SPECIFICATION

Sioux Chief 886 series closet flange shall be used where necessary in drainage systems. Flange shall be fastened to floor and provide notches or slots for fastening closet bolts to flange ring. Flange shall have a 3" Sch. 40 hub connection which conforms to ASTM D2665 (PVC) or D2661 (ABS) and install inside most 4" pipe. Closet flange shall be UPC listed.

MATERIALS

PVC, ABS

INSTALLATION

Always fasten flange to floor, using screws in holes on both sides of the slot or notch that will be used for the closet bolts. Solvent weld ABS/PVC pipe into hub of flange according to glue manufacturer's instructions.

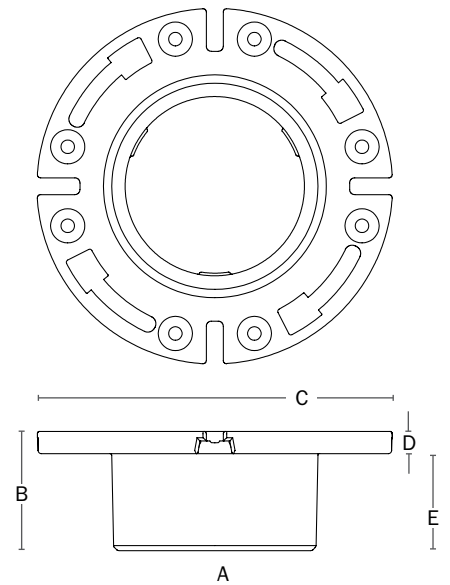
DIMENSIONS

A: Connection	3" Sch. 40 Hub x inside 4" pipe
B: Overall height	2-3/8"
C: Flange diameter	7"
D: Flange thickness	7/16"
E: Hub depth	1-7/8"

ITEM # SUBMITTED	_____
JOB NAME	_____
LOCATION	_____
ENGINEER	_____
CONTRACTOR	_____
PO#	_____ TAG _____



886-P



Create Item Number

886-A

e.g. **886-P**: 3" Sch. 40 Hub PVC closet flange - open

MATERIAL A

A = One-piece ABS closet flange

P = One-piece PVC closet flange