

# MECHANICAL TEST PLUG

882 series

Test Titan™

### SPECIFICATION

Sioux Chief 882 series Test Titan mechanical test plug shall be used for open end closure of installed piping, sealing cleanout threads or to secure piping from contaminants during normal construction process.

### MATERIALS

stem, base & disc: ABS  
nut: PolyPro  
gasket: PVC

### INSTALLATION

Insert plug into end of pipe or threaded opening, size specific, to shoulder of gasket. Turn nut clockwise to tighten gasket until desired compression is achieved. Finish tightening with pliers if needed.

### SAFE WORKING LOADS

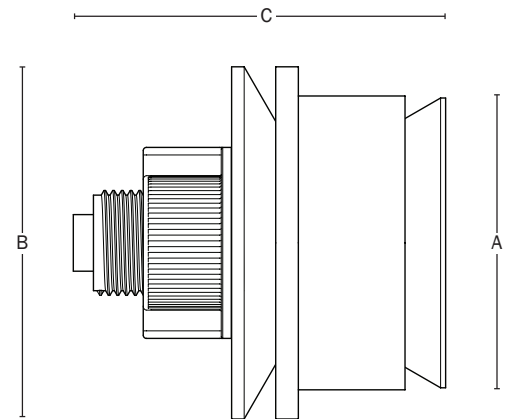
blow out PSI per size/style:

	Pipe	Cleanout
1½"	40	40
2"	30	30
3"	20	20
3½"	NA	25
4"	10	15

### DIMENSIONS

	1.5"	2"	3"	4"
A: Nominal Diameter	1.5"	2"	3"	4"
B: Overall Diameter	1.9"	2.375"	3.5"	4.4"
C: Overall Depth	3.7"	3.7"	3.7"	3.7"

Item # Submitted	_____
Job Name	_____
Location	_____
Engineer	_____
Contractor	_____
PO#	_____ TAG _____



Create Item Number

## 882-AB

e.g. 882-35 = 3½" Test Titan cleanout test plug

- |                             |                      |                            |  |
|-----------------------------|----------------------|----------------------------|--|
| <b>A</b>                    | <b>SIZE</b>          | <b>B</b>                   | <b>PNEUMATIC</b>                       |
| <input type="checkbox"/> 1  | 1½" pipe/cleanout    | <input type="checkbox"/> P | integral air filler valve <sup>1</sup> |
| <input type="checkbox"/> 2  | 2" pipe/cleanout     |                            |  |
| <input type="checkbox"/> 3  | 3" pipe/cleanout     |                            |  |
| <input type="checkbox"/> 35 | 3½" cleanout threads |                            |  |
| <input type="checkbox"/> 4  | 4" pipe              |                            |  |
| <input type="checkbox"/> 41 | 4" cleanout threads  |                            |  |
- <sup>1</sup> not available with 35 or 41 series