

# ABS RAISED CLEANOUT COVER

## » 871/872 SERIES

### SPECIFICATION

Sioux Chief 871 or 872 Series cleanout cover shall be used where necessary in drainage systems. Cleanout cover shall have a raised shape to allow additional space between cover and wall and fasten with a screw to cleanout plug, wall bar, or other building member. Cleanout covers shall be ABS (white/paintable or chrome-plated) for corrosion resistance, and have sufficient diameter to completely cover cleanout access.

### MATERIALS

ABS, Chrome-plated ABS

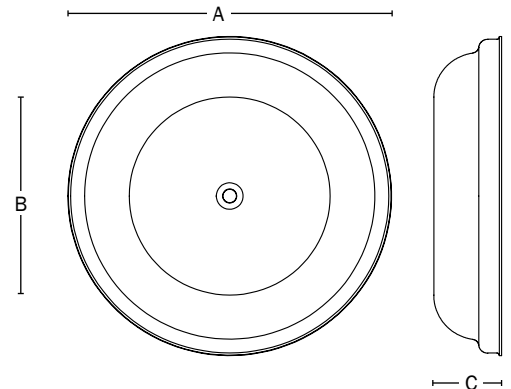
### DIMENSIONS

Item Series	871-16 / 872-16	871-18 / 872-18
<b>A:</b> Base diameter	7-1/8"	9-1/8"
<b>B:</b> Top Diameter	4-1/2"	6-1/2"
<b>C:</b> Overall Height	1-1/2"	1-1/2"

ITEM # SUBMITTED	_____
JOB NAME	_____
LOCATION	_____
ENGINEER	_____
CONTRACTOR	_____
PO#	_____ TAG _____



Pictured: 871-16



### Specify Item Number

#### CLEANOUT COVER

**871-16** = 7-1/8" diameter, White ABS

**871-18** = 9-1/8" diameter, White ABS

**872-16** = 7-1/8" diameter, Chrome-plated ABS

**872-18** = 9-1/8" diameter, Chrome-plated ABS