

MAIN ROOF DRAIN

»» 868 SERIES

SPECIFICATION

Sioux Chief 868 Series cast iron main roof drains shall be used where necessary in drainage systems. Roof Drain shall have a low-profile enamel coated cast iron dome strainer, and cast iron gravel guard. Strainer shall turn-to-lock into gravel guard. Cast iron drain body shall have no-hub connection. Designed in accordance with ASME A112.6.4-2003

MATERIALS

Dome strainer: enamel-coated cast iron / aluminum

Gravel guard: enamel-coated cast iron

Drain body: enamel-coated cast iron

STRAINER FREE-AREA

75.75 in²

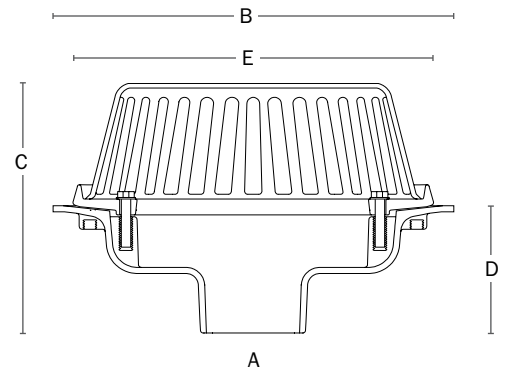
DIMENSIONS

A: Connection	3", 4", 6" or 8" No-hub
B: Flange diameter	15"
C: Overall height	9½"
D: Body height	5"
E: Gravel guard diameter	13⅝"

ITEM # SUBMITTED	_____
JOB NAME	_____
LOCATION	_____
ENGINEER	_____
CONTRACTOR	_____
PO#	_____ TAG _____



868-1504



Create Item Number

868-AB

e.g. **868-1504HS**: Cast iron main roof drain with 4" no-hub connection, undermount hardware kit and sump receiver

CONNECTION A

- 1503** = 3" No-hub
- 1504** = 4" No-hub
- 1506** = 6" No-hub
- 1508** = 8" No-hub

OPTIONS B

- A** = Aluminum dome strainer*
- H** = Undermount hardware kit
- U** = Underdeck clamp kit
- S** = Sump receiver
- E** = Adjustable extension kit
- W** = 2" high, external water dam
- P** = 2" high internal water dam
- V** = Vandal-resistant dome strainer

* Cast iron dome strainer is standard

Available separately:

- Aluminum dome strainer: 868-15AD
- Cast iron dome strainer: 868-15CD
- Sump receiver: 868-15S
- 24" x 24" x 15-ga galvanized steel
- Undermount hardware kit: 868-15SH
- 4 pcs angle bracket, thread rod, nuts, washers
- Underdeck clamp kit: 868-15U
- two-piece cast iron clamping plate with hardware
- External water dam: 868-15WD
- 2" high, cast iron external water dam
- Adjustable extension assembly kit: 868-15EXT