

PROMENADE DRAIN - ROUND GRATE

868 SERIES

SPECIFICATION

Sioux Chief 868 Series 16" promenade drain with round top. Includes coated cast iron drain body with plugged 1/2" NPT trap primer port, clamping grate frame, and vandal-resistant cast iron grate.

Used in outdoor areas, patios, concourses, parking garages, and other areas. Designed in accordance with ASME A112.6.3

GRATE FREE AREA

83.5 in²

GRATE LOAD RATING

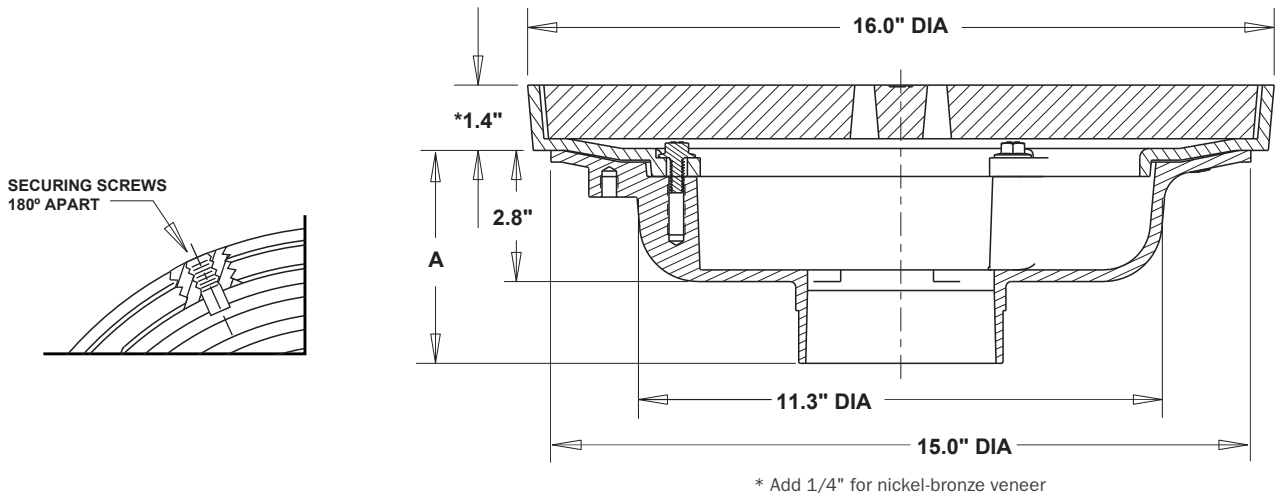
Heavy-Duty - standard (for safe load between 5,000 - 7,500 lbs.)

Extra Heavy-Duty - optional (for safe load between 7,500 - 10,000 lbs.)

DIMENSIONS

A: Drain body height	No-Hub	Push-Joint
3" Connection	4.60"	4.60"
4" Connection	4.60"	4.60"
6" Connection	5.25"	5.45"
8" Connection	5.25"	N/A

ITEM # SUBMITTED	_____
JOB NAME	_____
LOCATION	_____
ENGINEER	_____
CONTRACTOR	_____
PO#	_____ TAG _____



Create Item Number

868-A B C D

e.g. **860-R624INB**: Promenade drain with 4" No-Hub connection, debris bucket and round cast iron grate with NB veneer

CONNECTION TYPE A

R62 = No-Hub
R66 = Push-Joint¹

CONNECTION SIZE B

3 = 3" connection
4 = 4" connection
6 = 6" connection
8 = 8" connection

GRATE TYPE C

I = Cast iron grate
IN = Cast iron grate with nickel-bronze veneer

OPTIONS D

2 = 2" high SS perf. extension
9 = Side-outlet connection²
C = Underdeck clamp kit
P = Top-mount sump receiver⁴
X = Extra heavy-duty grate (7,500 - 10,000 lbs.)

4 = 4" high SS perf. extension
B = Debris bucket³
E = Adjustable extension
S = Sump receiver

1: Push-Joint not available for 8" connection | 2: Side-outlet For 2" - 4" No-Hub connection only
3: Debris bucket not available for drains with Adjustable Extension "E" | 4: Includes sump receiver plate and drain-to-plate attachment hardware