

# PROMENADE DRAIN - SQUARE GRATE

## 868 SERIES

### SPECIFICATION

Sioux Chief 868 Series 16" promenade drain with square top. Includes coated cast iron drain body with plugged 1/2" NPT trap primer port, clamping grate frame, and vandal-resistant cast iron grate.

Used in outdoor areas, patios, concourses, parking garages, and other areas. Designed in accordance with ASME A112.6.3

### GRATE FREE AREA

96.5 in<sup>2</sup>

### GRATE LOAD RATING

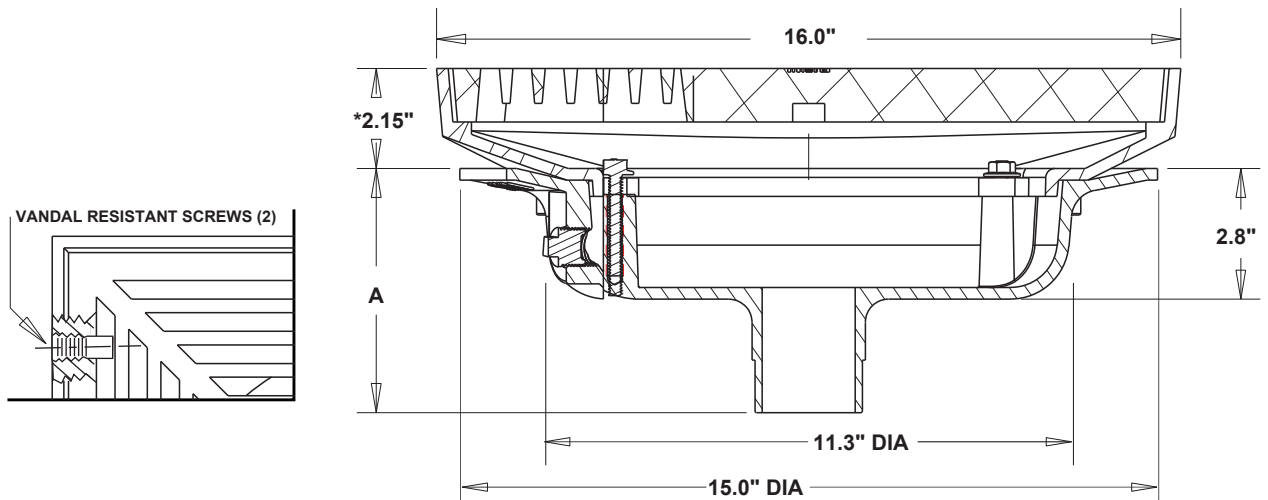
Heavy-Duty - standard (for safe load between 5,000 - 7,500 lbs.)

Extra Heavy-Duty - optional (for safe load between 7,500 - 10,000 lbs.)

### DIMENSIONS

A: Drain body height	No-Hub	Push-Joint
3" Connection	4.60"	4.60"
4" Connection	4.60"	4.60"
6" Connection	5.25"	5.45"
8" Connection	5.25"	N/A

ITEM # SUBMITTED	_____
JOB NAME	_____
LOCATION	_____
ENGINEER	_____
CONTRACTOR	_____
PO#	_____ TAG _____



\* Add 1/4" for nickel-bronze veneer

### Create Item Number

## 868-ABC D

e.g. **860-Q624INB**: Promenade drain with 4" No-Hub connection, debris bucket and square cast iron grate with NB veneer

#### CONNECTION TYPE A

**Q62** = No-Hub

**Q66** = Push-Joint<sup>1</sup>

#### CONNECTION SIZE B

**3** = 3" connection

**4** = 4" connection

**6** = 6" connection

**8** = 8" connection

#### GRATE TYPE C

**I** = Cast iron grate

**IN** = Cast iron grate with nickel-bronze veneer

#### OPTIONS D

**2** = 2" high SS perf. extension

**9** = Side-outlet connection<sup>2</sup>

**C** = Underdeck clamp kit

**P** = Top-mount sump receiver<sup>4</sup>

**X** = Extra heavy-duty grate (7,500 - 10,000 lbs.)

**4** = 4" high SS perf. extension

**B** = Debris bucket<sup>3</sup>

**E** = Adjustable extension

**S** = Sump receiver

1: Push-Joint not available for 8" connection | 2: Side-outlet For 2" - 4" No-Hub connection only  
3: Debris bucket not available for drains with Adjustable Extension "E" | 4: Includes sump receiver plate and drain-to-plate attachment hardware