

ROOF DRAIN

867 SERIES

SPECIFICATION

Sioux Chief 867 Series cast iron roof drain and overflow fixture shall be used where necessary in drainage systems. Drain shall be have a one-piece, enamel coated cast iron body with separate, No-Hub connections for primary drain and overflow outlet. Cast iron clamping collar and dome strainer shall be included for both drain and overflow outlets. Drain shall be used in flat roof systems with waterproofing applied per standard installation practices. Designed in accordance with ASME A112.6.4-2003.

MATERIALS

Drain body: enamel-coated cast iron
 Clamping collar (2): enamel-coated cast iron
 Dome strainer (2): enamel-coated cast iron

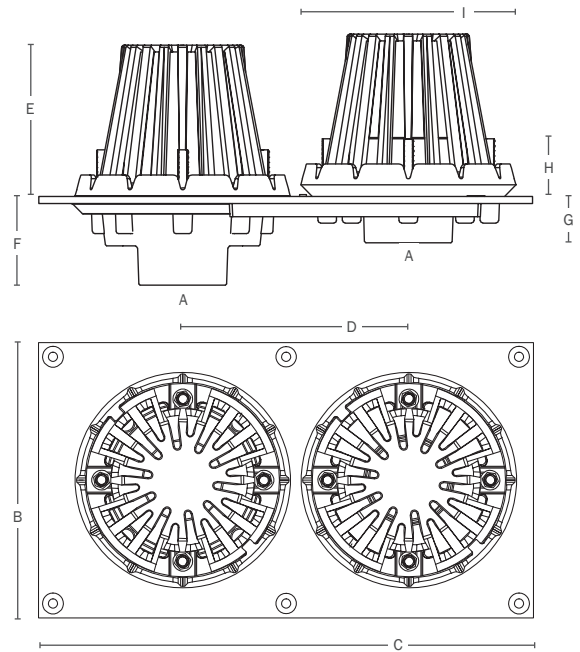
STRAINER FREE-AREA

31.8 in² (each)

DIMENSIONS

A: Connections	2", 3", 4" No-hub
B: Plate width	10½"
C: Plate length	18⅞"
D: Outlets O.C.	8⅝"
E: Dome height	5¾"
F: Main outlet	3⅜"
G: Overflow outlet	1¾"
H: Overflow inlet height	2¼"
I: Collar width	8¼"

ITEM # SUBMITTED	_____
JOB NAME	_____
LOCATION	_____
ENGINEER	_____
CONTRACTOR	_____
PO#	_____ TAG _____



Create Item Number

867-A

e.g. **867-Di3**: Combination roof drain/overflow fixture with 3" No-hub connection

A CONNECTION

- Di2 2" No-Hub
- Di3 3" No-Hub
- Di4 4" No-Hub

ACCESSORIES

- 867-C Underdeck clamp kit