

# TRENCH DRAIN

» 865 SERIES

HydroTec™

## SPECIFICATION

Sioux Chief 865 Series HydroTec™ Maxi 400 trench drain shall be used where necessary for surface drainage. Trench drain shall incorporate a fiber-reinforced concrete channel, ductile iron edge rails, and ductile iron, ADA-compliant, grating with 'F1' grate-locking system - all components shall be assembled. Channel shall have a U-shaped flow area and a smooth outer wall to maximize adhesion with concrete encasement and reduce trapped air pockets. Edge rails shall be integrally formed into the channel wall and include polymer inserts to reduce grate 'rattle' and extend service life. Concrete thickness and reinforcement shall be per structural engineer's specification for the application.

Designed in accordance with ASME A112.6.3

## MATERIALS

**Grating:** Ductile iron (ASTM A536 70-50-05) - ADA-Compliant

**Edge Rails:** Ductile iron (ASTM A536 70-50-05) with HDPE inserts

**Drain channel:** Fiber-reinforced concrete - neutral profile

Compressive strength: C35/45 (DIN EN 206)

Frost and de-icing salt resistant (DIN EN 1433 Class +R)

Fire Rating: A2 - non-combustible, no smoke, no burning drip (DIN 4102)

Thermal expansion/contraction:  $1 \times 10^{-6}$  mm/Kelvin\*

Maximum water penetration depth: 8 mm (watertight per DIN EN 1433)

## GRATE INTAKE AREA

206.2 in<sup>2</sup> / meter

## LOAD RATING

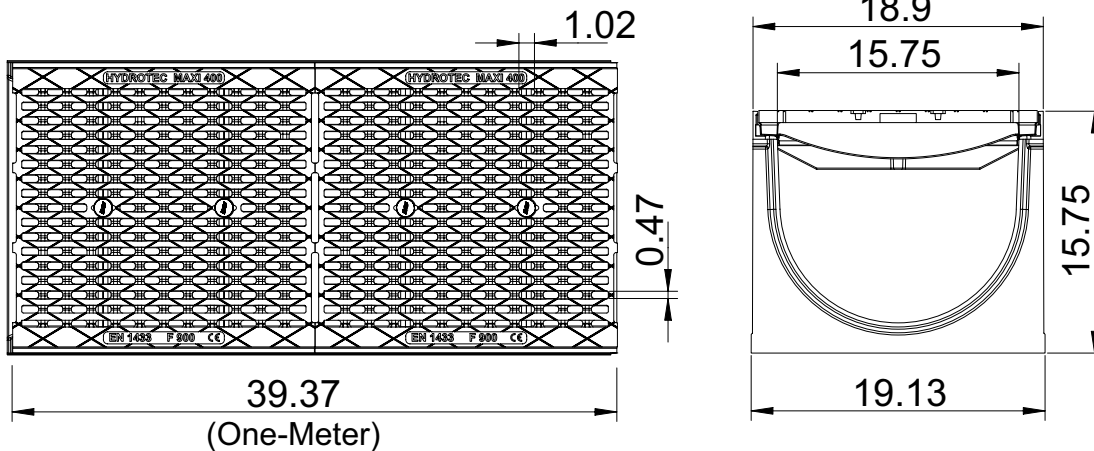
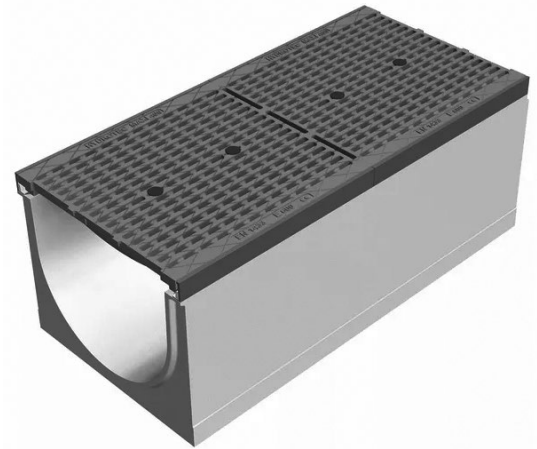
Class E600 / F900 per DIN EN 1433

HS25 per AASHTO

Extra-Heavy Duty per ASME A112.6.3

\* Same as surrounding concrete foundation

ITEM # SUBMITTED	_____
JOB NAME	_____
LOCATION	_____
ENGINEER	_____
CONTRACTOR	_____
PO#	_____ TAG _____



## Specify Item Number

### CHANNEL

**865-M16PN005EA** = Half-Meter section - Class E600 grate

**865-M16PN00EA** = One-Meter section - Class E600 grate

**865-M16PN005FA** = Half-Meter section - Class F900 grate

**865-M16PN00FA** = One-Meter section - Class F900 grate

### Accessories - Available Separately:

865-M16PCBEA: Catch basin with basket - Half-meter - Class E600 grate

865-M16PN00BEA: Bottom-outlet section - One-meter - Class E600 grate

865-M16PCBFA: Catch basin with basket - Half-meter - Class F900 grate

865-M16PN00BFA: Bottom-outlet section - One-meter - Class F900 grate

865-16ECD: End cap for Maxi 400 System

865-160CD: End outlet cap (8" Nom.) for Maxi 400 System

865-8PC: PVC S&D connection pipe for 8" Nom. outlets

865-8RS: Rubber sleeve/seal for 8" Nom. bottom outlets

865-SHOVEL: Cleaning shovel for Maxi System