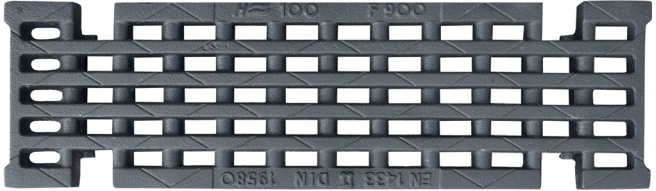
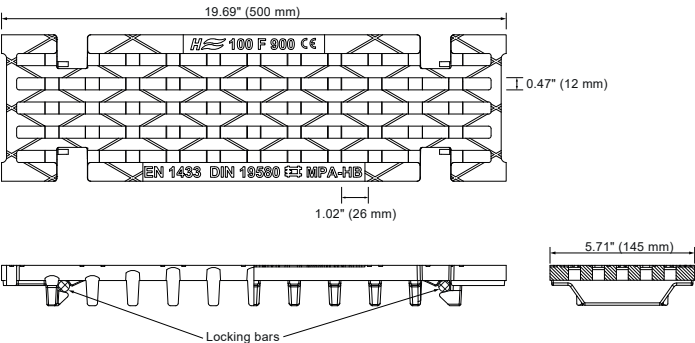
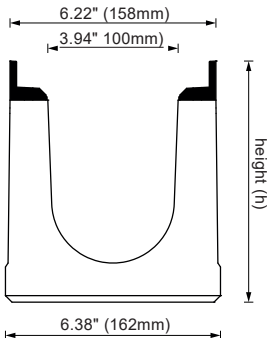



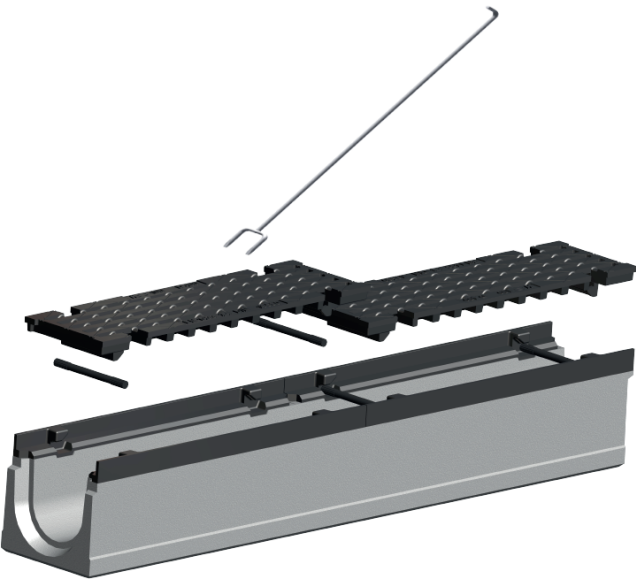
## Maxi 100 System Ductile Grate / F900 / ADA

Product Specifications	
<p><b>Part. No.:</b> 865-M4DIFL</p> <p><b>Load Class:</b> F900 (198,000 lbs) according EN 1433 Certified by MPA-HB (independent laboratories)</p> <p><b>Material:</b> Ductile Iron GJS-500-7 (ASTM A536 70-50-05)</p> <p><b>Locking:</b> Patented boltless grate locking system</p> <p><b>Surface:</b> Longitudinal slot design (0.47" x 1.02") ensures high water intake. Slots according ADA Standards</p> <p><b>Weight:</b> 15.43 lbs (7.0 kg)</p> <p><b>Water intake:</b> 79.36 in<sup>2</sup> (512 cm<sup>2</sup>) per meter</p> <p><b>Use:</b> This grate is developed for use with HydroTec MAXI 100 channels made of fiber reinforced concrete with a ductile iron edge protection.</p>	 

### Fiber Reinforced Concrete Channel

<p><b>Available heights(h):</b></p> <ul style="list-style-type: none"> <li>- 3.15" (80mm)</li> <li>- 4.33" (110mm)</li> <li>- 6.30" (160mm)</li> <li>- 7.28" (185mm)</li> <li>- 8.27" (210mm)</li> <li>- 9.25" (235mm)</li> <li>- 10.24" (260mm)</li> <li>- Sloped* (30 sections)</li> </ul> <p>* Elements have a 0.50% internal slope</p>		
--	---	--

### System Specifications

<p><b>Grate Locking Tool (Part No. 865-TOOL):</b> The Grate Locking Tool is made of galvanized steel. It's used to lock and unlock the grate.</p> <p><b>Grate:</b> The grate is made of ductile iron and certified to EN 1433 Load Class F900.</p> <p><b>Locking Bar (Part No. 865-4LR):</b> Two locking bars fix the grate to the channel body. They're unlocked by the Grate Locking Tool .</p> <p><b>MAXI 100 Channel:</b> The channel body is made of fiber reinforced concrete with a ductile iron edge protection. Connecting profiles at the end of the channel guarantee an easy and fast installation.</p>	
---	--