

ADJUSTABLE HORIZONTAL WIDE-CHASE BACK-TO-BACK CLOSET CARRIER - 500-LB. LOAD

837 SERIES

SPECIFICATION

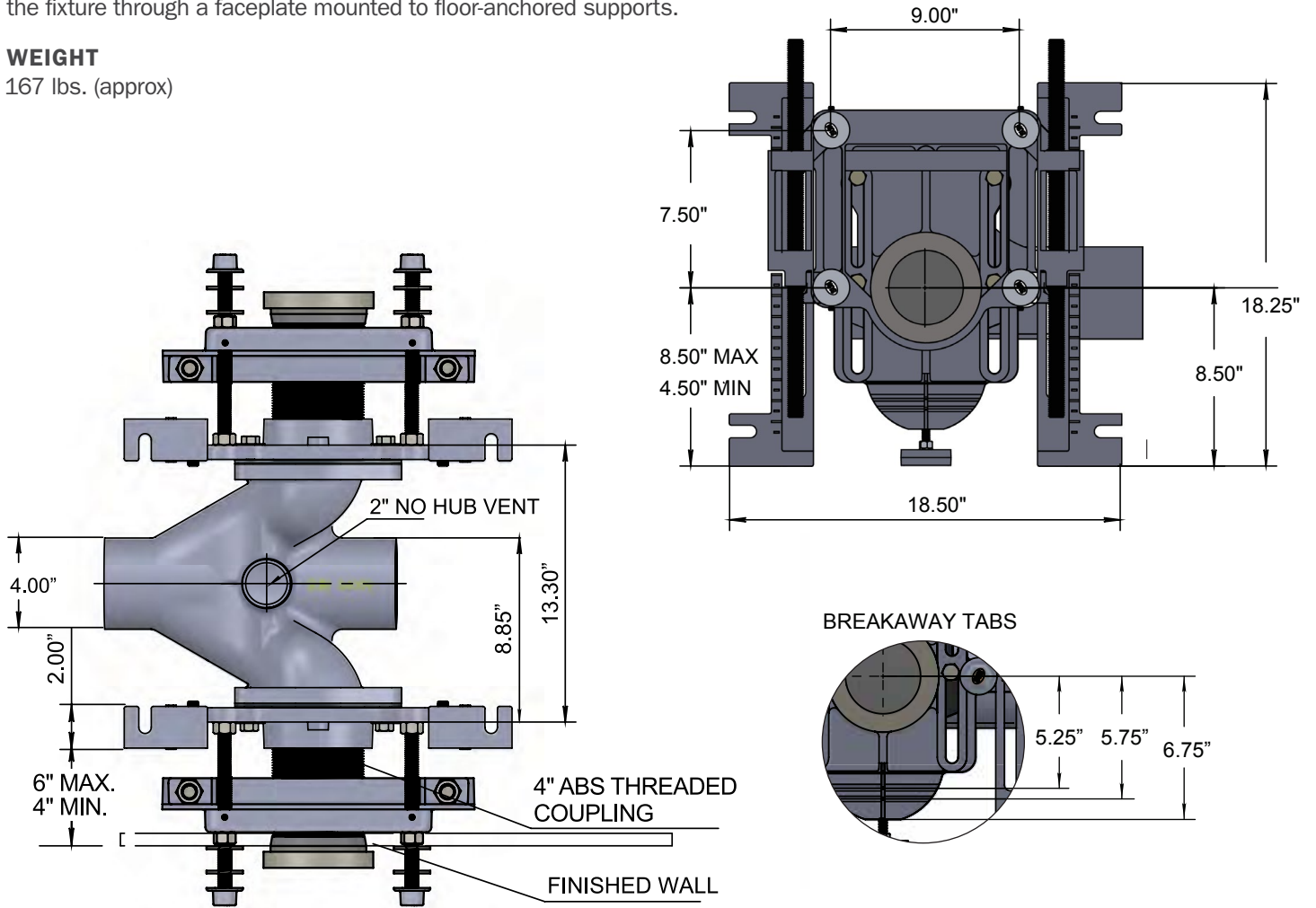
Sioux Chief 837 Series adjustable, horizontal wide chase water closet carrier with 4" No-Hub connections, rated for 500 lb. maximum static load. Includes coated cast iron right-hand or left-hand main fitting with 2" vent, adjustable faceplate with o-ring, floor mounted supports, extended stud support frame, adjustable ABS threaded coupling with integral test cap, fixture bolts, trim, stud protectors, rear anchor, and neoprene fixture gasket. Designed in accordance with ASME A112.6.1M

Used with wall-mounted closet fixtures having no contact with the finished floor. The closet carrier is concealed within the wall and supports the load of the fixture through a faceplate mounted to floor-anchored supports.

WEIGHT

167 lbs. (approx)

ITEM # SUBMITTED	_____
JOB NAME	_____
LOCATION	_____
ENGINEER	_____
CONTRACTOR	_____
PO#	_____ TAG _____



Create Item Number

837-A

e.g. **837-HSDW**: Adjustable horizontal 500-lb. back-to-back wide chase water closet carrier with double-inlet fitting

THREADED COUPLING LENGTH A

HSDW = 6" ABS threaded coupling (standard)

HSDWT = 12" ABS threaded coupling