

ADJUSTABLE HORIZONTAL BACK-TO-BACK CLOSET CARRIER - 500-LB. LOAD

837 SERIES

SPECIFICATION

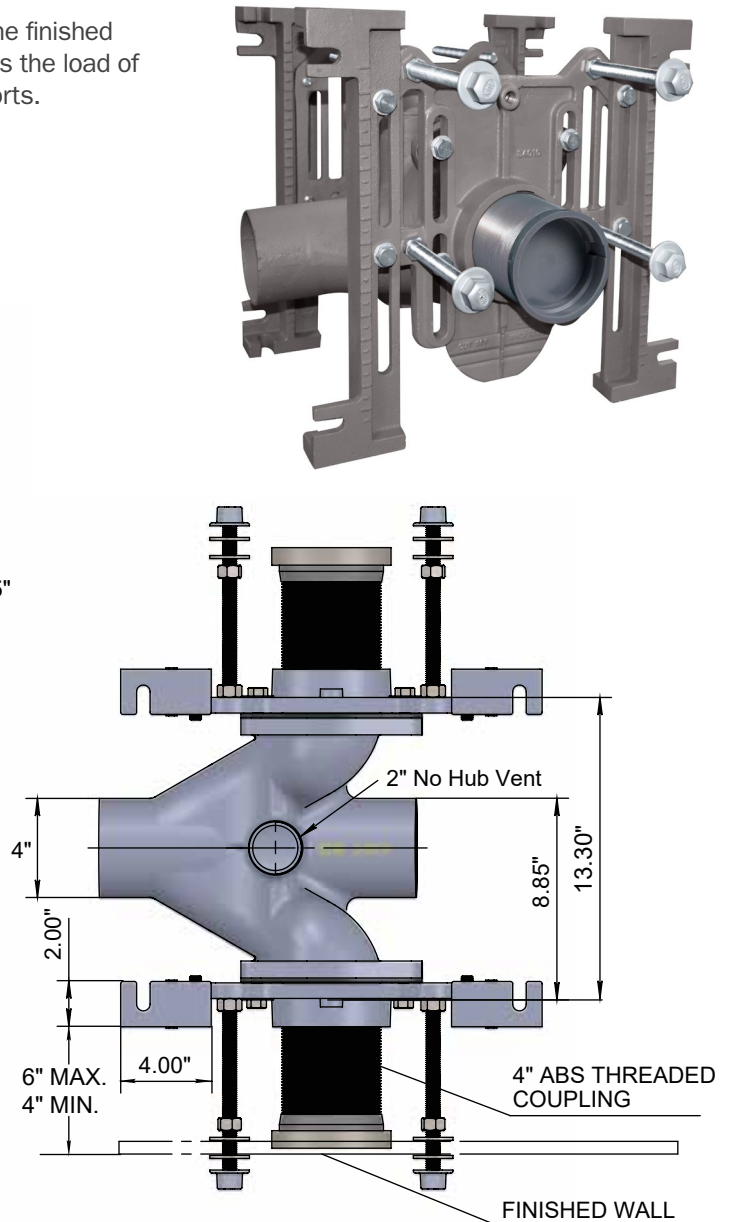
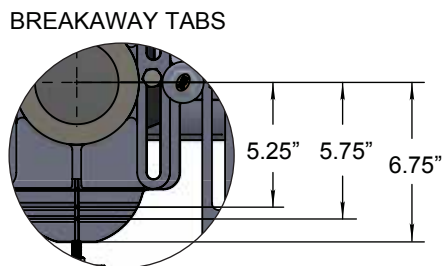
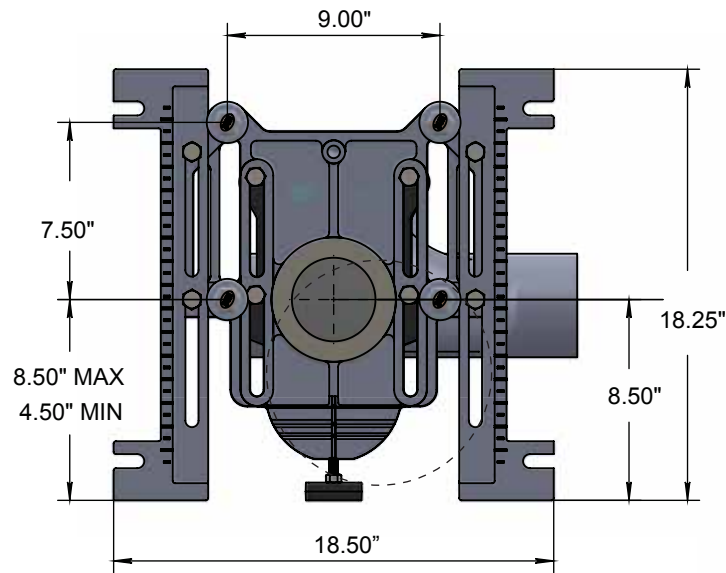
Sioux Chief 837 Series adjustable, horizontal back-to-back water closet carrier with 4" No-Hub connections, rated for 500 lb. maximum static load. Includes coated cast iron double main fitting with 2" vent, adjustable faceplates with o-rings, floor mounted supports, adjustable ABS couplings with integral test cap, fixture bolts, trim, stud protectors, and neoprene fixture gasket. Designed in accordance with ASME A112.6.1M

Used with wall-mounted closet fixtures having no contact with the finished floor. The closet carrier is concealed within the wall and supports the load of the fixture through a faceplate mounted to floor-anchored supports.

WEIGHT

113 lbs. (approx)

| | |
|------------------|-----------------|
| ITEM # SUBMITTED | _____ |
| JOB NAME | _____ |
| LOCATION | _____ |
| ENGINEER | _____ |
| CONTRACTOR | _____ |
| PO# | _____ TAG _____ |



Create Item Number

837-A

e.g. **837-HSD**: Adjustable horizontal 500-lb. back-to-back water closet carrier with double-inlet fitting

THREADED COUPLING LENGTH A

HSD = 6" ABS threaded coupling (standard)

HSDT = 12" ABS threaded coupling