

ADJUSTABLE FLOOR CLEANOUT

» 834 SERIES

FinishLine™

SPECIFICATION

Sioux Chief 834 series FinishLine adjustable on-grade cleanout shall be used where necessary in drainage systems. Cleanout shall allow adjustment before and AFTER the concrete pour. Scoriated cleanout cover shall meet applicable load requirements for intended use. Cleanout shall include a slotted, polypropylene or brass cleanout plug, situated in base adapter. Designed in accordance with ASME A112.36.2M

MATERIALS

Ring/cover: Nickel-bronze, 304 stainless steel

Coring plug: High-impact polymer

Coring sleeve: ABS

Head adapter: ABS

Base adapter: ABS, PVC

Cleanout plug: Polypropylene, brass

LOAD RATING

4,000 lbs. (medium-duty)

DIMENSIONS

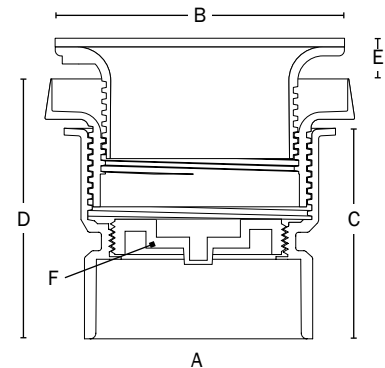
A: Connection	3" Sch. 40 Hub ¹ , 4" Sch. 40 Hub
B: Ring/cover diameter	Rnd: 6-1/2" Sqr: 6-5/8"
C: Base adapter height	4-1/2"
D: Pre-pour height	5-3/8" - 6-5/8"
E: After-pour height	Rnd: 0" - 1-1/4" Sqr: 5/16" - 1-1/4"
F: Cleanout plug	3-1/2" slotted

1 Fits inside most 4" Sch. 40 pipe

ITEM # SUBMITTED	_____
JOB NAME	_____
LOCATION	_____
ENGINEER	_____
CONTRACTOR	_____
PO#	_____ TAG _____



834-4PNR



Create Item Number

834-A B C D

e.g. **834-4PNRV**: FinishLine cleanout with 4" PVC Sch. 40 hub and round, nickel-bronze, vandal-resistant ring/cover

CONNECTION SIZE A

- 3 = 3" Sch. 40 Hub
- 4 = 4" Sch. 40 Hub

CONNECTION TYPE B

- A = ABS Base adapter
- P = PVC Base adapter

RING/COVER C

- NR = Round nickel-bronze
- NQ = Square nickel-bronze
- SR = Round stainless steel
- SQ = Square stainless steel

OPTIONS D

- V = Vandal-resistant cover screws
- S = Stamping: specify letters
- C = Carpet marker
- B = Brass cleanout plug²
- Z = Complies with Buy American Act³

Available separately:
 Leveling shim kit: (832-4)
 Extension adapter: (832-EX4)
 Flexible locating bristle kit: (832-W)
 FinishLine plug wrench: (832-P)

² In lieu of polypro (standard) ³ Available for items with round nickel-bronze covers only