

STAINLESS STEEL LINEAR SHOWER DRAIN

» 823 SERIES

StreamLine™

ITEM # SUBMITTED	_____
JOB NAME	_____
LOCATION	_____
ENGINEER	_____
CONTRACTOR	_____
PO#	_____ TAG _____

SPECIFICATION

Sioux Chief 823 Series linear shower pan drains shall be used where necessary in drainage systems. Linear drain head and strainer shall be stainless steel with ADA compliant pattern and height adjustable using threaded adapter. Compact-design drain body shall have peripheral notches for securing to sub floor and 2" Sch. 40 hub connection. Invertible clamping collar shall fasten to drain body with four screws into brass inserts. Drain shall include DoubleDuty™ test plug. Designed in accordance with ASME A112.18.2-2005 / CSA B125.2-05.

MATERIALS

Head/Strainer: 304 Stainless steel (brushed finish)
Adjustment adapter: ABS
Clamping Collar: Glass-filled polypropylene
Drain body: ABS, PVC



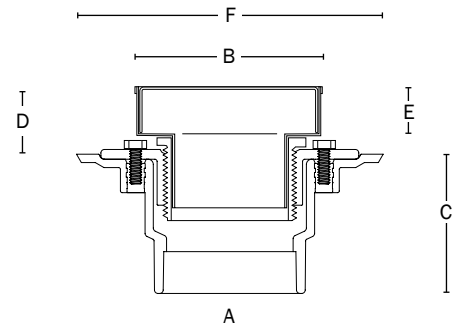
823-TX36WP

INSTALLATION

Install according to local plumbing code, ANSI A108 standards, and TCNA guidelines. Always perform flood test of shower areas before tiling.

DIMENSIONS

Head length	26", 30", 36", 40", 48", 60"
A: Connection	2" Sch. 40 hub
B: Head width	3-3/8"
C: Body height	2-1/2"
D: Adjustable height	1-1/2" – 3"
E: Head depth	7/8"
F: Flange diameter	5-1/2"


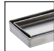
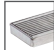


Create Item Number

823-ABC

e.g. **823-TX36WP:** 36" linear shower pan drain with PVC drain body and wedge-wire strainer

HEAD LENGTH A
TX26 = 26" head
TX30 = 30" head
TX36 = 36" head
TX40 = 40" head
TX48 = 48" head
TX60 = 60" head

STRAINER PATTERN B¹
S = Square hole 
T = Tile-in 
W = Wedge-wire 

CONNECTION C
A = ABS body/connection
P = PVC body/connection

¹ All strainer patterns are ADA compliant