

ADJUSTABLE FLOOR DRAIN WITH DECK FLANGE

822 SERIES

Halo™

SPECIFICATION

Sioux Chief 822 series adjustable floor drain shall be used where necessary in drainage systems. Floor drain shall have an 18 gauge stainless steel deck/mounting flange and ABS/PVC body with Sch. 40 hub connection. Floor drain shall allow adjustment of 3/4" above the deck flange. Strainer shall be heel-proof and meet applicable load requirements for intended use. Trap primer port shall be threaded 1/2" FIP for optional connection. Designed in accordance with ASME A112.6.3-2001.

MATERIALS

Ring/strainer: Nickel-bronze, Stainless steel (Cast = 304 / 18 Ga = 430)

Head adapter: gray ABS

Deck Flange: 430 Stainless steel - 18 Ga.

Base adapter: ABS or PVC with brass thread inserts

STRAINER LOAD RATING

Nickel-Bronze: 1,000 lbs. (light-duty, heel-resistant)

Stainless Steel (Cast): 2,000 lbs. (light-duty, heel-resistant)

Stainless Steel (18 Ga): 500 lbs. (light-duty, heel-resistant)

STRAINER FREE AREA

Round (Cast): 8.5 in² (20 GPM)¹

Round (18 Ga): 5.75 in² (12 GPM)¹

Square (Cast): 12.75 in² (20 GPM)¹

DIMENSIONS

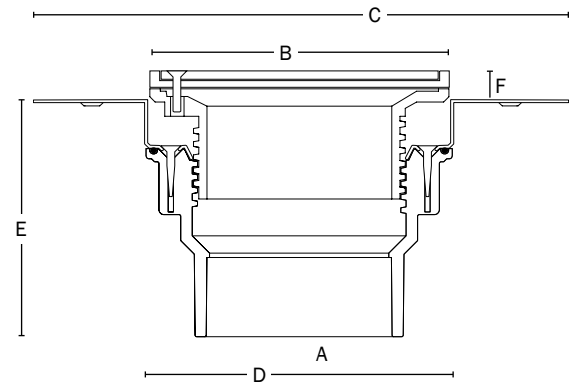
A: Connection size ²	2x3" or 3x4" Sch. 40 Hub
B: Ring/strainer diameter	
Round (Cast 18 Ga)	5-1/2" 5-3/8"
Square	5-7/8"
C: Flange diameter	9-1/2"
D: Base adapter diameter	5-7/8"
E: Base adapter height	4-3/8"
F: Adjustable finish height ³	
Round (Cast 18 Ga)	0" – 3/4" 0" – 1/2"
Square	5/16" – 3/4"

¹ Observed flow rate under test conditions at 0.625" head.

² Connections fit over 2" and inside 3" or over 3" and inside 4" pipe

³ When using optional clamping collar, min dimension is 1/2" for cast ring/strainers

ITEM # SUBMITTED	_____
JOB NAME	_____
LOCATION	_____
ENGINEER	_____
CONTRACTOR	_____
PO#	_____ TAG _____



Create Item Number

822-ABCD

e.g. **822-3PNRV:** Halo floor drain with 3x4" PVC connection and round nickel-bronze ring/strainer with vandal-resistant screws

CLAMPING COLLAR A

M = Clamping collar kit

No collar is standard - unless this option is selected

CONNECTION TYPE/SIZE B

2A = ABS, 2x3" Sch. 40 Hub

2P = PVC, 2x3" Sch. 40 Hub

3A = ABS, 3x4" Sch. 40 Hub

3P = PVC, 3x4" Sch. 40 Hub

RING/STRAINER TYPE C

NR = Round Nickel-bronze ring/strainer

SR = Round Stainless steel ring/strainer

NQ = Square Nickel-bronze ring/strainer

SQ = Square Stainless steel ring/strainer

S = Round 18 ga Stainless steel strainer⁴

OPTIONS D

V = Vandal-resistant strainer screws

B = Complies with Buy American Act⁵

E = 1-1/4" Extended strainer rim⁵

Accessories - Available Separately:

822-CKIT: Clamping collar kit (stainless steel collar/screws)

822-EX3: Cast iron extension adapter⁶

822-TB: Thread bushing for Halo head extension

835-2: TrapShield™ for 2" drain outlet

835-3: TrapShield™ for 3" drain outlet

835-35: TrapShield™ for Halo drain head

863-FA: Round aluminum condensate funnel

863-FN: Round nik-brz condensate funnel

863-FNO: Oval nik-brz condensate funnel

⁴: Drain head creates plastic rim around strainer | ⁵: Available only for round nickel-bronze ring/strainer | ⁶: Extends head 1-3/4" (min) to 3-3/8" (max) above deck flange