

# ADJUSTABLE FLOOR CLEANOUT WITH DECK FLANGE

» 822 SERIES

Halo™

## SPECIFICATION

Sioux Chief 822 series adjustable floor cleanout shall be used where necessary in drainage systems. Cleanout shall have an 18 gauge stainless steel deck/ mounting flange and ABS/PVC body with Sch. 40 hub connection. Cleanout shall allow adjustment of 3/4" above the deck flange. Scoriated cleanout cover shall be meet applicable load requirements for intended use. Cleanout body shall include a sealing plug with raised square head to prevent escape of sewer gas. Designed in accordance with ASME A112.36.2M.

## MATERIALS

**Ring/cover:** nickel-bronze, 301 stainless steel

**Head adapter:** ABS

**Deck flange:** 18-gauge 430 stainless

**Sealing plug:** elastomer gasket, polypro drive screw

**Base adapter:** ABS, PVC

## COVER LOAD RATING

**Nickel-bronze:** 2,000 lbs. (light duty, pedestrian traffic)

**Stainless steel:** 2,500 lbs. (medium duty, pedestrian traffic)

## DIMENSIONS

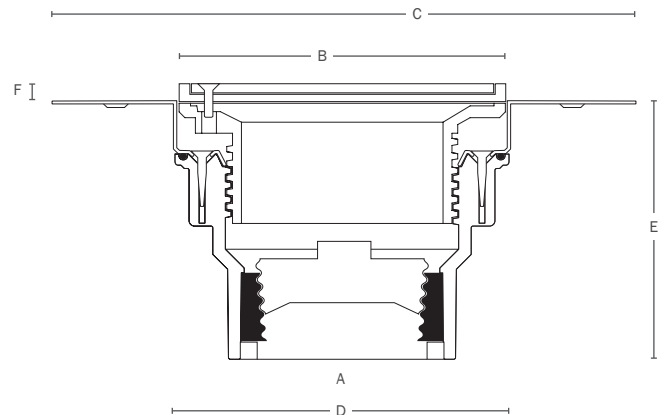
A: Connection size	3" Sch. 40 hub or inside 4" pipe*
B: Ring/cover diameter	5 1/2" / 5 7/8"
round / square	
C: Flange diameter	9 1/2"
D: Body diameter	5 7/8"
E: Body height	4 3/8"
F: Adjustable finish height	0" - 3/4" / 5/16" - 3/4"
round / square	

\* The inside of pipe can vary significantly. 4" connection is designed to fit most, but may not fit all types/brands of pipe.

ITEM # SUBMITTED	_____
JOB NAME	_____
LOCATION	_____
ENGINEER	_____
CONTRACTOR	_____
PO#	_____ TAG _____



822-C3PSR



## Create Item Number

### 822-A B C D

e.g. **822-C3PNRV:** 3" Sch. 40 hub adjustable cleanout with deck flange and round nickel-bronze ring/cover with vandal-resistant screws

#### A: CONNECTION SIZE

- C3 = 3" Sch. 40 hub
- C4 = Inside 4" Sch. 40 pipe

#### B: CONNECTION TYPE

- A = ABS
- P = PVC

#### C: COVER TYPE

- NR = Round nickel-bronze
- SR = Round stainless steel
- NQ = Square nickel-bronze
- SQ = Square stainless steel

#### D: OPTIONS

- V = Vandal-resistant cover screws
- S = Stamping (specify letters)
- C = Carpet marker

#### ACCESSORIES

- 822-EX3** Threaded extension adapter. Extends head 1 3/4" (min) to 3 3/8" (max) above deck flange
- 822-TB** Threaded bushing. Glues over 3" Sch. 40 when using pipe for head extension.