

ADJUSTABLE SLAB SHOWER DRAIN

» 820 SERIES

SPECIFICATION

Sioux Chief 820 series adjustable slab shower drain shall be used where necessary in drainage systems. Strainer shall meet all load and flow requirements for installations in shower areas. Base adapter shall have a 2" Sch. 40 hub connection and connect to DWV pipe via solvent weld joint. Base adapter is designed to fit inside most 3" Sch. 40 PVC pipe. Designed for use in on-grade (only) tiled shower floors where a shower pan liner is not required.

Note: Not for use in above grade applications or where shower pan liner is installed

MATERIALS

Strainer: Plated/finished zamac

Head Adapter: Gray ABS

Base Adapter: Gray PVC

STRAINER LOAD RATING

500 lbs.

STRAINER FREE AREA

Round: 4.50 in²

Square: 7.60 in²

STRAINER FLOW CAPACITY

Round: 6.0 GPM

Square: 7.0 GPM

Observed flow rate under test conditions at 0.375" head.

DIMENSIONS

A: Connection 2" Sch. 40 Hub*

C: Base Height 2-5/8"

B: Top Diameter 4-1/2"

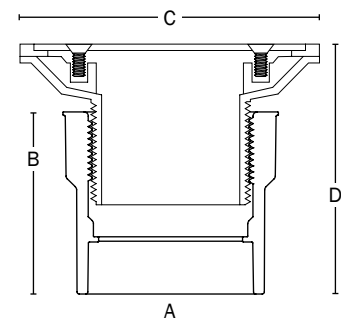
D: Overall Height 3-3/8" - 4-1/2"

* Fits inside 3" Sch. 40 PVC

ITEM # SUBMITTED	_____
JOB NAME	_____
LOCATION	_____
ENGINEER	_____
CONTRACTOR	_____
PO#	_____ TAG _____



820-20PKQ



Create Item Number

820-ABC

e.g. **820-20PKQ:** Adjustable slab shower pan drain with square, satin-nickel finish ring & strainer

TEST PLUG **A**

No test plug (standard)

T = DoubleDuty™ test plug included

RING/STRAINER FINISH **B**

20PC = Chrome-plated

20PK = Satin-nickel finish

20PRB = Oil-rubbed bronze finish

RING/STRAINER PATTERN **C**

R = Round ring & strainer

Q = Square ring & strainer