

# ACOUSTICAL ADJUSTABLE CLAMPS FOR UNIVERSAL BRACKET

» 523-5500 AND 523-5501 PipeDown™ Touchdown™ for PowerBar™

## SPECIFICATION

Sioux Chief's Touchdown™ with molded foot shall be designed to fit and slide within the channel of Sioux Chief's PowerBar™ bracket for supporting pipe or stub outs when job specifications call for products with acoustical properties to help reduce noise levels in piping systems. Variable clamping tension allows for thermal expansion and contraction on pipe or tube ranging from 3/8" to 1-1/8" OD. Adjustable channel clamps with elastomer inserts shall be compatible with copper, CPVC, or PEX water supply lines. System shall be corrosion and UV resistant. Clamps shall be certified by UPC/IAPMO.

## INSTALLATION

Two separate rubber pieces are included; each designed to fit the clamp base and top bridge. Install clamps onto bracket *prior to* securing bracket to the structure.

Assemble base insert into clamp base. Carefully insert the assembly into end of the PowerBar™ bracket (sold separately). Clamp should slide along entire length of bracket. Position clamp at desired location on the bracket. Place tube in clamp. Install noise block into top bridge and place assembly on top of tube then ratchet bridge down evenly and tightly onto pipe. Bow the bridge (use slip pliers if necessary) to prevent lateral movement within the bracket.

## MATERIALS

**Variable channel clamp:** Nylon 66, V2 flame rating

**Clamp inserts:** Thermoplastic elastomer

## SAFE WORKING LOAD\*

Temperature range	Load rating
-10° – 130°F	70 lbs.
131° – 179°F	38 lbs.
180° – 220°F	25 lbs.

\*Safe working load = one-half failure

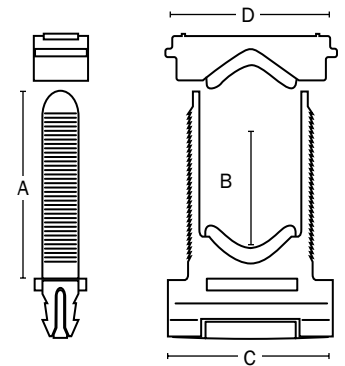
## DIMENSIONS

<b>A:</b> Clamp height	1 7/8"
<b>B:</b> Clamping range	1/4"-1 1/8"
<b>C:</b> Clamp width	1 7/8"
<b>D:</b> Bridge width	2.02"

ITEM # SUBMITTED	_____
JOB NAME	_____
LOCATION	_____
ENGINEER	_____
CONTRACTOR	_____
PO#	_____ TAG _____



523-5500Q



Made in USA

Item Number

## 523-550AQ

e.g. **523-5501:** Acoustical clamps for PowerBar™ bracket, bagged set

### PACKAGING OPTION A

**0** = Acoustical clamps for PowerBar™ - bulk

**1** = Acoustical clamps for PowerBar™ - bagged set