

ONE-WAY PUSH NUT

612 SERIES

StainlessStar™

ITEM # SUBMITTED	_____
JOB NAME	_____
LOCATION	_____
ENGINEER	_____
CONTRACTOR	_____
PO#	_____ TAG _____

SPECIFICATION

Sioux Chief 612 series Push Nuts shall be used in residential and commercial applications on 1/2", 3/4" and 1" nominal copper tube. Push nut shall install over copper stub out in one direction flush against drywall or finished wall to minimize stub out movement.

INSTALLATION

This product should be used on copper tube only. Do not use on PEX or CPVC. Push flat side over copper tube flush against wall surface.

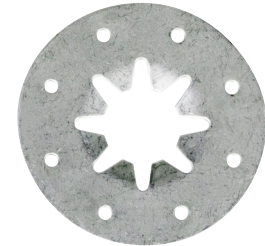
Note: This product may be installed at rough-in or against finished wall. One push nut on each side of the rough-in dry wall is recommended at tub spout supply.

MATERIALS

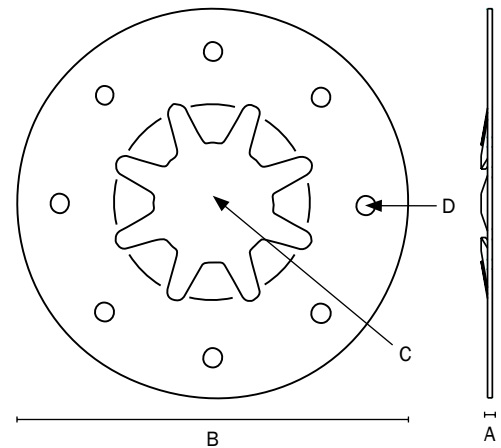
Type 304 stainless steel

DIMENSIONS

	1/2"	3/4"	1"
A: Material thickness	.026"	.026"	.026"
B: O.D.	2.035"	2.035"	2.035"
C: I.D. (tube hole)	.615"	.867"	1.115"
D: Mounting hole:	.100"	.100"	.100"



612-2S



Create Item Number

612-A

e.g. **612-2S:** 1/2" StainlessStar™ push nut

TUBE SIZE A

2S = 1/2" copper

3S = 3/4" copper

4S = 1" copper