

# METAL STUD INSULATOR

»» 558-M SERIES

PipeEye™

## SPECIFICATION

Sioux Chief 558-E series tube suspension clamp and insulator shall be used where necessary to secure and/or insulate CTS piping through studs or joists in residential or commercial applications. Clamp shall be UV resistant and 100% corrosion proof. Clamp shall include split design feature that allows it to be installed after piping is run. Clamp shall include side fins designed to lock perfectly into I-joist knock outs, 1<sup>3</sup>/<sub>8</sub>" holes bored through wood or 1<sup>1</sup>/<sub>2</sub>" punched into steel studs and lock into the stud. Clamp shall be designed with mounting ears to accommodate fastening directly to the building structure. Clamps shall be compatible with CTS copper, PEX or CPVC tube.

## INSTALLATION

To insulate CTS tube, drill 1<sup>3</sup>/<sub>8</sub>" hole in wood studs/joists or punch 1<sup>1</sup>/<sub>2</sub>" hole in metal stud. Install tube through hole. Spreading the clamp open, position clamp around tube then push into hole in stud/joist.

To suspend tube, secure clamp to studs/joists/brackets using two nails or two screws (not provided). Push pipe through clamp. Be sure to follow all national and local code hanger spacing requirements.

## MATERIALS

UV-resistant high-density polyethylene

## SAFE WORKING TEMPERATURE

**Maximum temperature:** 160°F (71°C) continuous

**Impact resistance:** to 0°F (-18°C)

## DIMENSIONS

	558-E1	558-E2	558-E3	558-E4
<b>A:</b> Height	2.12"	2.12"	2.132"	2.063"
<b>B:</b> Front width	1.581"	1.581"	1.581"	1.578"
<b>C:</b> Back width	1.4"	1.4"	1.4"	1.6"
<b>D:</b> Ear width	2.211"	2.211"	2.211"	2.211"
<b>E:</b> Depth	0.875"	0.875"	0.875"	0.875"
<b>F:</b> Tube size	3/8"	1/2"	3/4"	1"
<b>G:</b> Hole diameter	0.150"	0.150"	0.150"	0.150"

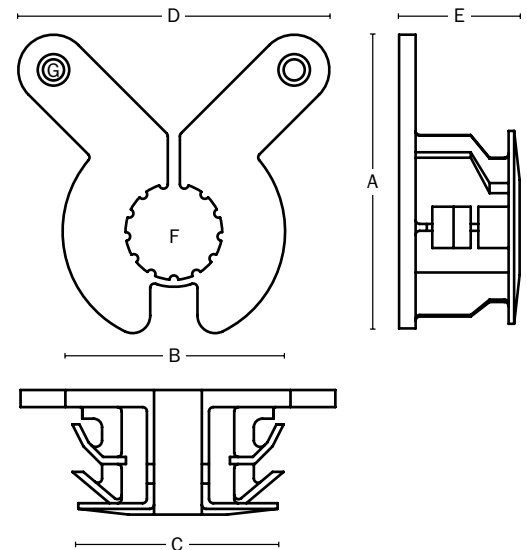
ITEM # SUBMITTED	_____
JOB NAME	_____
LOCATION	_____
ENGINEER	_____
CONTRACTOR	_____
PO#	_____ TAG _____



558-E2



558-E3



Made in USA

Create Item Number

## 558-EA

e.g. 558-E2: Suspensulator for 1/2" CTS piping

### TUBE SIZE A

- 1 = 3/8" CTS
- 2 = 1/2" CTS
- 3 = 3/4" CTS
- 4 = 1" CTS