

# STUD SUPPORT BRACKET

» 533 SERIES

Stud Shoe

## SPECIFICATION

Sioux Chief 533 series Stud Shoe supports shall be designed to conform to national plumbing code requirements. Stud Shoes shall be used to reinforce studs that have been bored or notched to allow for DWV piping. Stud Shoe shall be secured to joist with nails or screws. All nail holes must be used and fasteners (not provided) shall be no less than #10d x 1½" long. Sioux Chief's 533 series Stud Shoe bracket is NOT a total replacement of removed construction materials.

## MATERIALS

16 gauge steel (.062" min) steel

## DESIGN

Sioux Chief 533 series Stud Shoe stud support bracket features a reinforcing rib that follows the contour of the pipe opening to provide maximum support and greater strength than similarly shaped supports. Sioux Chief 533 series can be used on exterior bearing walls and interior nonbearing walls when the installer follows all residential and building code requirements adopted by local jurisdiction officials.

## PIPE OPENING

Pipe opening (dimension D) is 2½" for use with any piping that is 2" Schedule 40 or smaller.

## MAXIMUM LOAD RATING\*

**533-1:** 552 lbs.

**533-2:** 810 lbs.

**533-3:** 945 lbs.

\*Must use 10d x 1½" nails or screws

## DIMENSIONS

### A: Width

Single stud 1.5"

Double stud 3.0"

Triple stud 4.5"

**B:** Depth 3.38"

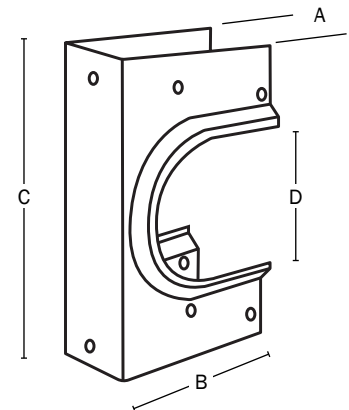
**C:** Height 5⅜"

**D:** Pipe opening 2½"

ITEM # SUBMITTED	_____
JOB NAME	_____
LOCATION	_____
ENGINEER	_____
CONTRACTOR	_____
PO#	_____ TAG _____



533-1



Made in USA

## Create Item Number

## 533-A

e.g. **533-2:** Stud Shoe support bracket for double studs

### STUD NUMBER A

**1** = Single studs

**2** = Double studs

**3** = Triple studs

