

BATH DRAIN - HALF KIT

» 973 SERIES

Ezy Touch®

SPECIFICATION

Sioux Chief 973 Series Ezy Touch® half kit bath drains shall be installed where necessary to provide accessible and replaceable tube and fittings to convey waste from bathtub fixtures to the drainage system. Kits shall include overflow elbow, drain elbow, drain spud with course (11.5 tpi) threads, stopper mechanism, faceplate, and all trim components. Designed in accordance with ASME A112.18.2.

MATERIALS

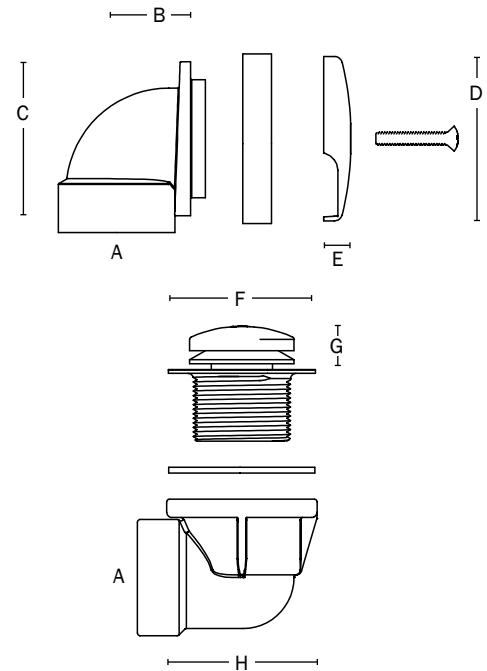
Fittings: ABS, PVC

Trim: Chrome-plated zinc, chrome-plated brass

DIMENSIONS

A: Connection size	1-1/2" Sch. 40
B: Overflow elbow depth	1-5/8"
C: Overflow elbow face dia.	3"
D: Faceplate dia.	3-1/8"
E: Faceplate depth	1/2"
F: Drain spud flange dia.	2-3/4"
G: Stopper height	1"
H: Drain elbow flange dia.	2-7/8"

ITEM # SUBMITTED	_____
JOB NAME	_____
LOCATION	_____
ENGINEER	_____
CONTRACTOR	_____
PO#	_____ TAG _____



Create Item Number

973-A

e.g. **973-5401C04:** PVC Ezy Touch® bath drain half kit

FITTING CONNECTION A

5401C04 = PVC hub connection

7401C04 = ABS hub connection