

METAL EXTENSION TUBES

/// 240-45 SERIES, 240-46 SERIES, 240-47 SERIES

SPECIFICATION

Tomahawk Metal Extension Tubes are intended to provide accessible and replaceable tube and fittings to convey domestic waste from fixtures to the drain, waste and vent (DWV) system. Tomahawk Metal Extension Tubes shall meet or exceed ASME standard A112.18.2.

MATERIALS

Brass
Finish: chrome or rough brass

DIMENSIONS

*Tomahawk specifications in US customary units are approximate and are provided for reference only.

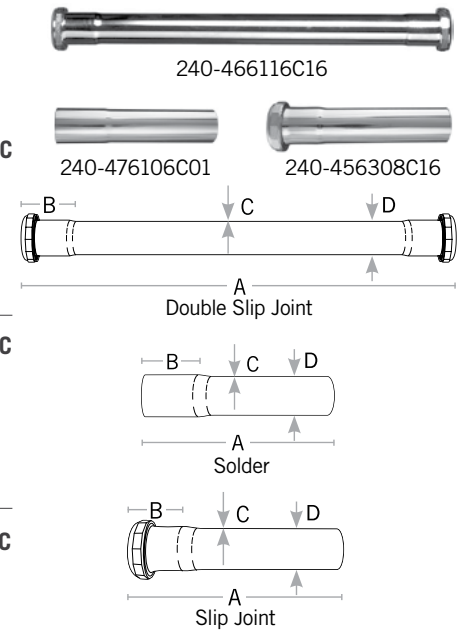
	-455106C	-455108C	-455112C	-455206C	-455208C	-455212C	-455306C
A: length	6"	8"	12"	6"	8"	12"	6"
B: hub depth	2"	2"	2"	2"	2"	2"	2"
C: gauge	22ga	22ga	22ga	20ga	20ga	20ga	17ga
D: diameter	1-1/4"	1-1/4"	1-1/4"	1-1/4"	1-1/4"	1-1/4"	1-1/4"

	-455308C	-455312C	-456106C	-456108C	-456112C	-456208C	-456212C
A: length	8"	12"	6"	8"	12"	8"	12"
B: hub depth	2"	2"	2"	2"	2"	2"	2"
C: gauge	17ga	17ga	22ga	22ga	22ga	20ga	20ga
D: diameter	1-1/4"	1-1/4"	1-1/2"	1-1/2"	1-1/2"	1-1/2"	1-1/2"

	-456306C	-456308C	-456312C	-456312C	-465116C	-466116C	-475106C
A: length	6"	8"	12"	12"	16"	16"	6"
B: hub depth	2"	2"	2"	2"	2"	2"	2"
C: gauge	17ga	17ga	17ga	17ga	22ga	22ga	22ga
D: diameter	1-1/2"	1-1/2"	1-1/2"	1-1/2"	1-1/4"	1-1/2"	1-1/4"

	-475108C	-475112C	-476106C	-476108C	-476112C	-476212C
A: length	8"	12"	6"	8"	12"	12"
B: hub depth	2"	2"	2"	2"	2"	2"
C: gauge	22ga	22ga	22ga	22ga	22ga	20ga
D: diameter	1-1/4"	1-1/4"	1-1/2"	1-1/2"	1-1/2"	1-1/2"

ITEM # SUBMITTED	_____
JOB NAME	_____
LOCATION	_____
ENGINEER	_____
CONTRACTOR	_____
PO#	_____ TAG _____



Create Item Number

240-ABCDEFG

e.g. 240-475106C50: extension solder joint, 1-1/4" X 6", 22ga, cast nut, chrome, 50/bg

ITEM <u>A</u>	SIZE <u>B</u>	GAUGE <u>C</u>	LENGTH <u>D</u>	NUT <u>E</u>	FINISH <u>F</u>	PACKAGE <u>G</u>
45 = extension slip joint	5 = 1-1/4"	1 = 22ga	06 = 6"	_ = cast nut	C = chrome	16 = 16 per box
46 = extension slip joint double	6 = 1-1/2"	2 = 20ga	08 = 8"	1 = brass nut	R1 = rough brass	25 = 25 per box
47 = extension solder joint		3 = 17ga	12 = 12"			32 = 32 per box
			16 = 16"			50 = 50 per box



*Not all combinations available. Contact your local rep to confirm availability.